

## 350mA RGB (38W) and RGBW (50W) Driver

350mA RGB/W  
LS30560RGBW

### Instructions

#### 1. Ensure adequate ventilation

If housing in a sealed enclosure & running at/near full power ensure air volume is >3000cm<sup>3</sup>

#### 2. Permanently Powered

For flicker-free startup, power driver with a constant mains supply. The DMX signal will switch it on/off

#### 3. No Hot Work

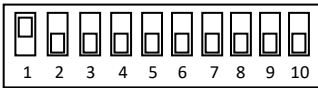
To avoid damage to lamps always switch power off before connecting or disconnecting *any* LED wiring



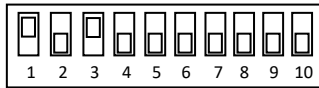
## Addressing

Set the driver's (DMX) address switches to the required output channel of the lighting controller before zone programming e.g. with switches set as 'CHANNEL 2' (below), the driver will be controlled by output 2 of the lighting controller.

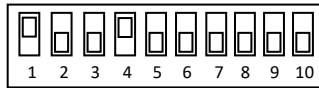
### CHANNEL 1



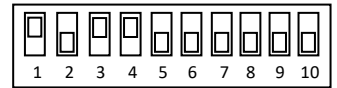
### CHANNEL 2



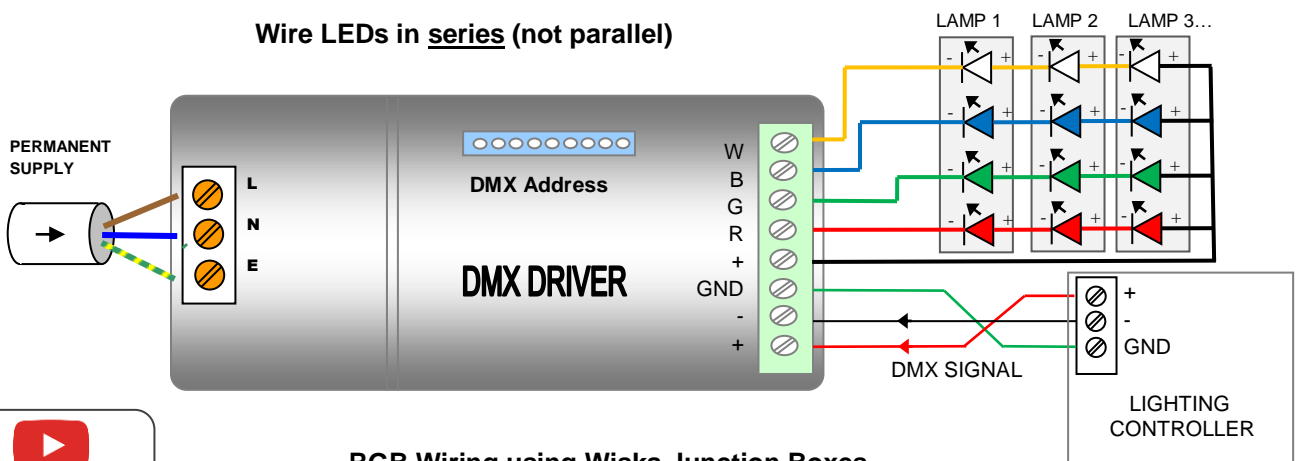
### CHANNEL 3



### CHANNEL 4



### Wire LEDs in series (not parallel)



### RGB Wiring using Wiska Junction Boxes

