

INSTRUCTIONS

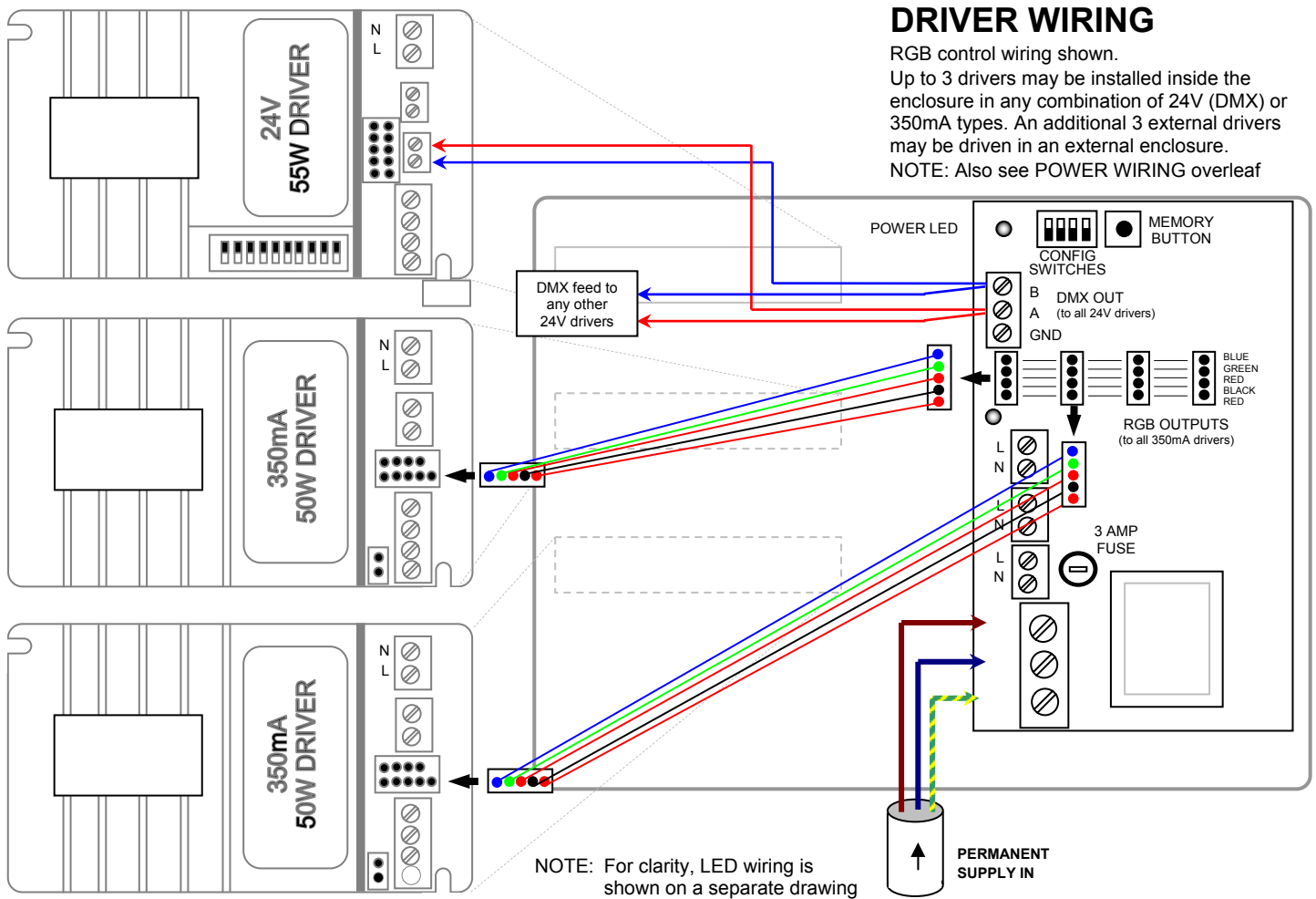
1. Fit three core mains supply (220-240V AC, 50Hz) to the positions at which the enclosures are to be mounted. Round cable must be used to ensure a good seal when the cable gland nut is tightened.
2. Remove the cover from each enclosure and fix them all into place.
3. Fit and wire the LED units so that they are ready to connect to the RBox drivers which will be housed in each enclosure. LED wiring instructions are supplied with the LED units. **Discard the instruction provided in the RBox30 / RBox55. Ignore all other data on this leaflet and continue to step 4. ??**
4. Remove the three trays from the enclosure by loosening the fixing screws and sliding the trays along to the clearance hole positions.
5. Feed the main supply wire through one of the cable glands, and connect it to the mains supply input terminal. L = Live, N = Neutral, E = Earth.
6. Remove the cover from the first RBox30. Remove and discard the small black plastic jumper.
7. Connect the RBox30 live and neutral to the live and neutral of one of the terminal blocks marked TO DRIVERS **as shown above**.
8. Feed the cable from the first LED circuit through a cable gland, and connect it to the four output terminals of the RBox30. Correct colour connections must be maintained, e.g. green from the LED unit must be connected to the green output terminal of the RBox30. Refer to the instructions in 3 above.

DRIVER WIRING

RGB control wiring shown.

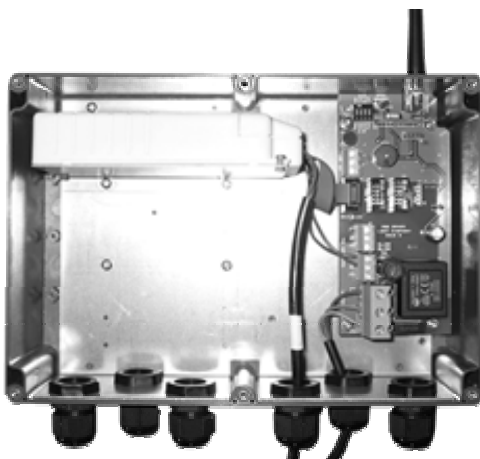
Up to 3 drivers may be installed inside the enclosure in any combination of 24V (DMX) or 350mA types. An additional 3 external drivers may be driven in an external enclosure.

NOTE: Also see POWER WIRING overleaf

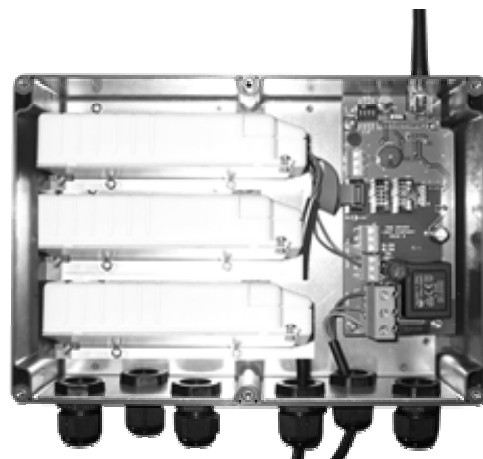


INSTRUCTIONS continued...

- Using the 5 core ribbon cable, connect the RBox30 5 pin connection to the RGB A 5 pin connection on the circuit board. The ribbon cable connection must be the correct way round. Refer to the DRIVER WIRING diagram above.
- Replace the RBox30 top, and screw fix it to a tray using the screws provided. Refit the tray in the enclosure in the top position.
- Wire and fit the second and third RBoxe30's by repeating steps 7, 8 and 9, and using the appropriate connection points, e.g. RGB B for the second connection, RGB C for the third.
- Firmly tighten all cable glands.
- Refit the enclosure cover, ensuring the seal is properly seated.
- Repeat steps 4 to 13 for each enclosure.
- Refer to the Operating Instructions for programming and user information.



Single RBox30 example



3x RBox30 example